



SONAROL



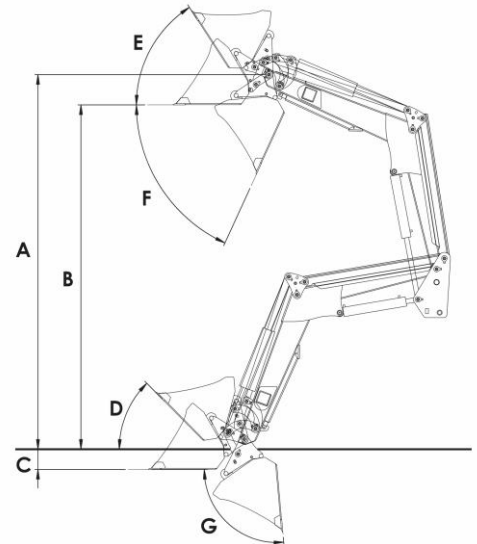
**PRODUCT
CATALOG**

September 2023

FRONT END LOADER

LC 300/400/500/600

FRONT END LOADERS



SUPPORTING STRUCTURE



	Units	LC SNR 300	LC SNR 300L	LC SNR 400	LC SNR 400L	LC SNR 500	LC SNR 500L	LC SNR 600
Nominal Lifting capacity on the axis capacity	kg	1600		1800		1800		1800
Hydraulic cylinders	mm	70/80		80/80		90/80		90/80
Lifting height (A)	mm	3500		3700		4000		4250
Loading height (B)	mm	3200		3400		3700		3950
Digging depth (C)	mm	50-200		50-200		50-200		50-200
Bucket closing angle at a lower position (D)	°	45		45		45		45
Bucket closing angle at upper position (E)	°	57		57		57		57
Bucket tilting angle at an upper position (F)	°	65		65		65		65
Bucket tilting angle at a lower position (G)	°	95		95		95		95
Device weight	kg	520		560		625		700
Shock absorber switch on/off in the joystick		standard	not available	standard	not available	standard	not available	standard
Support structure number		KW 03	KW 03	KW 03	KW 03	KW 03	KW 03	KW 03
Price of supporting structure of front loader	€	1870	1870	1870	1870	1870	1870	1870
Price of front loader boom	€	4180	3990	4260	4070	4700	4550	4990
Price of set	€	6040	5860	6130	5930	6570	6420	6860
Color dedicated to the tractor brand	€					280		
Quick coupler of the hydraulic distributor	€					810		
Tool box "EURO" closed hydraulically	€					1160		
Electric control - proportional	€					2360		

The cost of making a new mounting not included in the list of supporting structures for front loaders + measurements at the manufacturer's headquarters, depends on the year of the tractor:

Year	Measurement cost (€)	Installation
2016 - and newer	IN PRICE	IN PRICE
2011-2015	225	IN PRICE
2010 and older	265	IN PRICE

¹ "EURO" semi-automatic tool mounting frame as standard, other extra payment acc. the official price list of spare parts. Scanning of the tractor in the factory to design and manufacture a new supporting structure with assembly included in the price.

If the tractor is equipped with a front three-point hitch and the manufacturer did not take into account the presence of the front linkage when designing - an additional payment of PLN 1000 should be added.

FRONT END LOADER

LC 10/15/20/100/200



SUPPORTING STRUCTURE

SNR 10/15/20



SUPPORTING STRUCTURE

SNR 100/200



FRONT END LOADERS

	Units	LC SNR 10	LC SNR 15	LC SNR 20	LC SNR 20L	LC SNR 100	LC SNR 100L	LC SNR 200	LC SNR 200L
Nominal Lifting capacity on the axis capacity	kg	450	450	650		800		1200	
Hydraulic cylinders	mm	50/50	50/50	50/50		63/50		63/63	
Lifting height (A)	mm	1850	2000	2800		3100		3400	
Loading height (B)	mm	1650	1800	2500		2800		3100	
Digging depth	mm	50-100	50-100	100-150		100-200		100-200	
Bucket closing angle at a lower position (D)	°	48	48	46		46		46	
Bucket closing angle at upper position (E)	°	55	55	58		58		58	
Bucket tilting angle at an upper position (F)	°	58	58	61		61		61	
Bucket tilting angle at a lower position (G)	°	58	58	60		60		75	
Waga Device weight	kg	180	190	270		330		370	
Shock absorber switch on/off in the joystick		brak	not available	standard	not available	standard	not available	standard	not available
Support structure number		KW 01	KW 01	KW 01	KW 01	KW 02	KW 02	KW 02	KW 02
Price of supporting structure of front loader	€	1190	1190	1190	1190	1490	1490	1490	1490
Price of front loader boom	€	2190	2250	2520	2400	2800	2650	3570	3410
Price of set	€	3370	3440	3700	3580	4310	4140	5070	4900
Color dedicated to the tractor brand	€					280			
Quick coupler of the hydraulic distributor	€					810			
Tool box "EURO" closed hydraulically	€					1160			
Electric control - proportional	€					2360			

The cost of making a new mounting not included in the list of supporting structures for front loaders + measurements at the manufacturer's headquarters, depends on the year of the tractor.

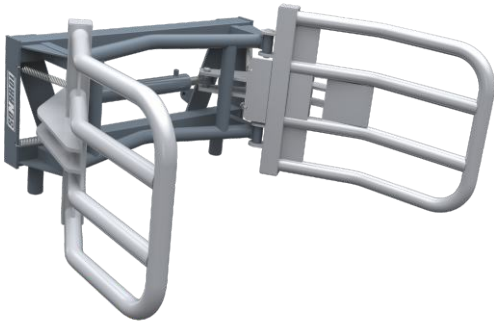
Year	Measurement cost (€)	Installation
2016 - and newer	IN PRICE	IN PRICE
2011-2015	225	IN PRICE
2010 and older	265	IN PRICE

If the tractor is equipped with a front three-point hitch and the manufacturer did not take into account the presence of the front linkage when designing - an additional payment of PLN 1000 should be added.

¹ "EURO" semi-automatic tool mounting frame as standard, other extra payment acc. the official price list of spare parts.
Scanning of the tractor in the factory to design and manufacture a new supporting structure with assembly included in the price.

BALE CLAMP

CBE



	Units	CBE SNR1500
Width	mm	1550
Load Capacity	kg	700
Device weight	kg	180
Price ¹	€	930

¹ Type of mount "EURO", "SMS", "MX" for front end loader included in the price, if the technical conditions of the device allow.
Special mounting (not from the manufacturer's official fixing table) - 320 €.
Mini charger surcharge - 165 €, depending on the technical conditions (e.g. mounting width, height).
Telescopic loaders surcharge - 255 €, depending on the technical conditions (e.g. mounting width, height).
Hydraulic lock required for wheeled and telescopic loaders without supporting the third hydraulic section - additional payment 90 €.
Pressure limiter additional payment necessary for attachments other than those used in front loaders - 90 €.

BALE CLAMP

CB

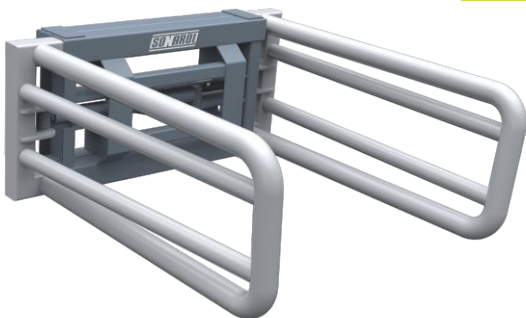


	Units	CB SNR1700
Width	mm	1700
Load Capacity	kg	900
Device weight	kg	215
Price ¹	€	1120

¹ Type of mount "EURO", "SMS", "MX" for front end loader included in the price, if the technical conditions of the device allow.
Special mounting (not from the manufacturer's official fixing table) - 320 €.
Mini charger surcharge - 165 €, depending on the technical conditions (e.g. mounting width, height).
Telescopic loaders surcharge - 255 €, depending on the technical conditions (e.g. mounting width, height).
Hydraulic lock required for wheeled and telescopic loaders without supporting the third hydraulic section - additional payment 90 €.
Pressure limiter additional payment necessary for attachments other than those used in front loaders - 90 €.

SQUARE BALE GRIPPER WITH TEETH

CBP

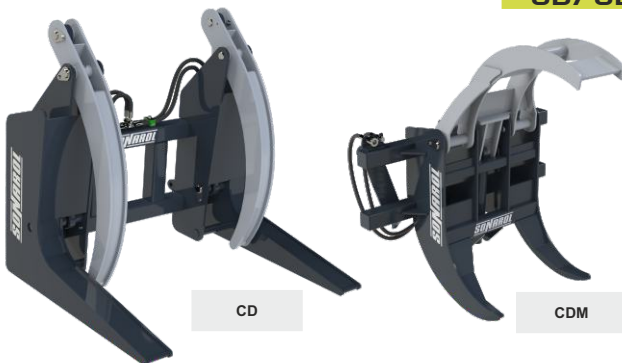


	Units	CBP SNR 2300
Max. Width	mm	2300
Load Capacity	kg	900
Device weight	kg	270
Price ¹	€	1520

¹ Type of mount "EURO", "SMS", "MX" for front end loader included in the price, if the technical conditions of the device allow.
Special mounting (not from the manufacturer's official fixing table) - 320 €.
Mini charger surcharge - 165 €, depending on the technical conditions (e.g. mounting width, height).
Telescopic loaders surcharge - 255 €, depending on the technical conditions (e.g. mounting width, height).
Hydraulic lock required for wheeled and telescopic loaders without supporting the third hydraulic section - additional payment 90 €.
Pressure limiter additional payment necessary for attachments other than those used in front loaders - 90 €.

WOOD LOGS GRAB

CD/CDM

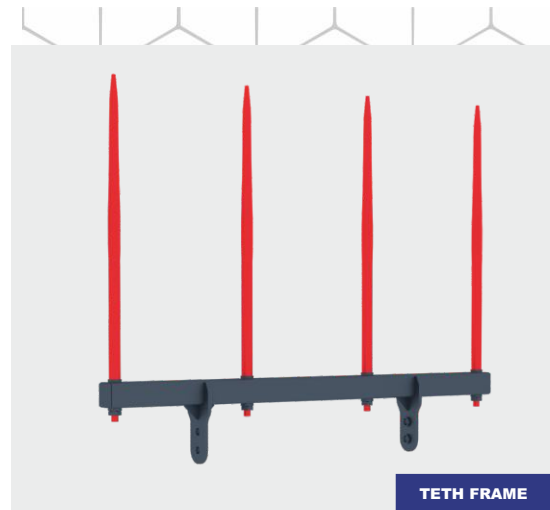


	Units	CD	CDM
Width	mm	1200	1200
Open Height	mm	1000	1100
Load Capacity	kg	1300	1000
Device weight	kg	300	177
Price ¹	€	1530	1390

¹ Type of mount "EURO", "SMS", "MX" for front end loader included in the price, if the technical conditions of the device allow.
Special mounting (not from the manufacturer's official fixing table) - 320 €.
Mini charger surcharge - 165 €, depending on the technical conditions (e.g. mounting width, height).
Telescopic loaders surcharge - 255 €, depending on the technical conditions (e.g. mounting width, height).
Hydraulic lock required for wheeled and telescopic loaders without supporting the third hydraulic section - additional payment 90 €.
Pressure limiter additional payment necessary for attachments other than those used in front loaders - 90 €.

NOVELTY MULTIFUNCTIONAL BALE GRAPPLE

CWB



TETH FRAME

	Units	CWB SNR
Width	mm	1500
Load Capacity	kg	1200
Device weight	kg	280
Set price ¹	€	1100
Set without the teth frame price	€	920
The teth frame price	€	330

¹ Type of mount "EURO", "SMS", "MX" for front loader included in the price, if the technical conditions of the device allow.
 Special mounting (not from the manufacturer's official fixing table) - 320 €.
 Mini charger surcharge - 165 €, depending on the technical conditions (e.g. mounting width, height).
 Telescopic loaders surcharge - 255 €, depending on the technical conditions (e.g. mounting width, height).
 Hydraulic lock required for wheeled and telescopic loaders without supporting the third hydraulic section - additional payment 90 €.
 Pressure limiter - Standard.

BALE CLAMP COMBI

CBC

COMPLETE SET HAVE TWO DIFFERENT ARMS

	Units	CBC SNR 2000 CONFIGURATION "A"	CBC SNR 2000 "B"
Height	mm	1796	1715
Folded width	mm	1221	1170
Spreading width	mm	1746	1652(2795) ¹
Compound depth	mm	531 (1280) ²	1350
Decomposed depth	mm	765	1300
Device weight	kg	327	323
Price A	Price B	€	1820
Set price ⁴		€	2130
Arms with teth "A"		€	520
Arms to foil "B"		€	520



SCHEME A



SCHEME B

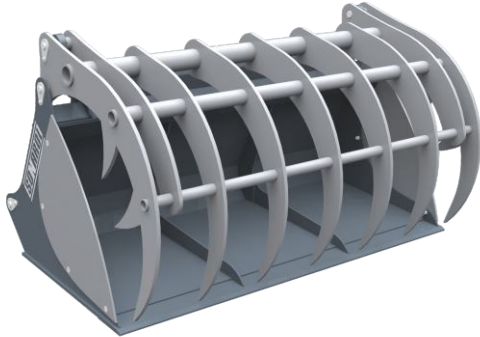


SET

¹ Scheme A
² Scheme B
³ Set weight 450 kg.
⁴ Set contains "Scheme A" and "Scheme B"
 Mounting "CYBANT" screw fastening included in price, avible if the allow technical conditions of the device.
 Type of mount "EURO", "SMS", "MX" for front end loader included in the price, if the technical conditions of the device allow.
 Special mounting (not from the manufacturer's official fixing table) - 320 €.
 Mini charger surcharge - 165 €, depending on the technical conditions (e.g. mounting width, height).
 Telescopic loaders surcharge - 255 €, depending on the technical conditions (e.g. mounting width, height).
 Hydraulic lock required for wheeled and telescopic loaders without supporting the third hydraulic section - additional payment 90 €.
 Pressure limiter additional payment necessary for attachments other than those used in front loaders - 90 €.

BUCKET-CROCODILE TEMPERED TINES

ŁKP



	Units	ŁKP SNR1400	ŁKP SNR1500	ŁKP SNR1600	ŁKP SNR1800	ŁKP SNR2000	ŁKP SNR2200	ŁKP SNR2400
Width	mm	1400	1500	1600	1800	2000	2200	2400
Height	mm	960	960	960	960	960	960	960
Open Height	mm	1500	1500	1500	1500	1500	1500	1500
Capacity	m ³	0,7	0,8	0,9	1,0	1,1	1,2	1,3
Device weight	kg	462	485	510	535	560	600	625
Capacity ¹	kg	840	960	1080	1200	1320	1440	1560
Number of hydraulic cylinders	pcs.	2	2	2	2	2	2	2
Price ²	€	1790	1910	2000	2150	2280	2480	2680

¹ Lifting capacity given for agricultural products and loose materials 1m³-1200kg.

² Type of mount "EURO", "SMS", "MX" for front end loader included in the price, if the technical conditions of the device allow. Special mounting (not from the manufacturer's official fixing table) - 320 €. Mini charger surcharge - 165 €, depending on the technical conditions (e.g. mounting width, height). Telescopic loaders surcharge - 255 €, depending on the technical conditions (e.g. mounting width, height). Hydraulic lock required for wheeled and telescopic loaders without supporting the third hydraulic section - additional payment 90 €. Factory-welded blade with holes. Screw-on double beveled blade additional payment 95 € per 1 meter.

BUCKET-CROCODILE CLAMP

ŁK



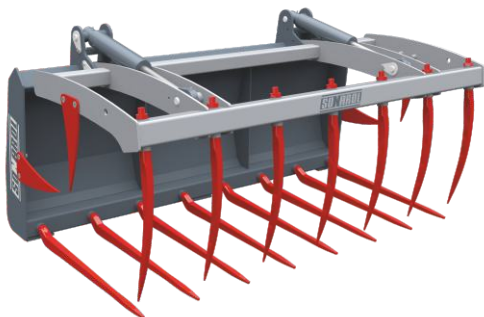
	Units	ŁK SNR900	ŁK SNR1000	ŁK SNR1250	ŁK SNR1500	ŁK SNR1800	ŁK SNR2100
Width	mm	900	1000	1250	1500	1800	2100
Height	mm	850	850	850	850	850	850
Open Height	mm	1350	1350	1350	1350	1350	1350
Capacity	m ³	0,6	0,67	0,83	1,0	1,2	1,4
Device weight	kg	215	225	260	300	340	385
Load Capacity ¹	kg	480	540	660	780	940	1100
Number of teeth	kg	4	5	5	6	7	8
Number of hydraulic cylinders	pcs.	2	2	2	2	2	2
Price ²	€	1130	1150	1300	1420	1640	1860

¹ Lifting capacity given for manure 1m³ - 800kg.

² Type of mount "EURO", "SMS", "MX" for front end loader included in the price, if the technical conditions of the device allow. Special mounting (not from the manufacturer's official fixing table) - 320 €. mounting width, height). Mini charger surcharge - 165 €, depending on the technical conditions (e.g. mounting width, height). Telescopic loaders surcharge - 255 €, depending on the technical conditions (e.g. mounting width, height). Hydraulic lock necessary in transport devices without supporting the third hydraulic section - additional payment 90 €. Pressure limiter additional payment necessary for attachments other than those used in front loaders - 90 €. Factory-welded blade with holes. Screw-on double beveled blade additional payment 95 € per 1 meter.

CROCODILE CLAMP

CK



	Units	CK SNR900	CK SNR1000	CK SNR1250	CK SNR1500	CK SNR1800	CK SNR2100	CK SNR2200	CK SNR2400
Width	mm	900	1000	1250	1500	1800	2100	2200	2400
Height	mm	850	850	850	850	850	850	850	850
Open Height	mm	1350	1350	1350	1350	1350	1350	1350	1350
Capacity	m ³	0,57	0,63	0,79	0,95	1,13	1,32	1,39	1,51
Device weight	kg	180	195	225	250	300	350	350	420
Load Capacity ¹	kg	460	505	630	750	900	1050	1100	1200
Number of teeth	pcs.	4+4	5+4	6+5	7+6	8+7	9+8	10+10	10+9
Number of hydraulic cylinders	pcs.	2	2	2	2	2	2	2	2
Price ²	€	1100	1130	1250	1320	1520	1770	1960	2020

¹ Lifting capacity given for manure 1m³ - 800kg.

² Type of mount "EURO", "SMS", "MX" for front end loader included in the price, if the technical conditions of the device allow. Special mounting (not from the manufacturer's official fixing table) - 320 €. mounting width, height). Mini charger surcharge - 165 €, depending on the technical conditions (e.g. mounting width, height). Telescopic loaders surcharge - 255 €, depending on the technical conditions (e.g. mounting width, height). Hydraulic lock necessary in transport devices without supporting the third hydraulic section - additional payment 90 €. Pressure limiter additional payment necessary for attachments other than those used in front loaders - 90 €.

COMBI CUTTER

W



3in1

- silage cutter
- bale shearer with the functionality for holding the cut film or mesh
- bucket for bulk materials

	Units	W SNR 1600
Width	mm	1600
Height	mm	850
Open Height	mm	1350
Bucket capacity	m ³	0,4
Device capacity	m ³	0,93
Device weight	kg	600+120
Number of teeth	pcs.	10+2
Number of hydraulic cylinders	pcs.	2
Set price¹	€	3710
Set without bucket price	€	3520

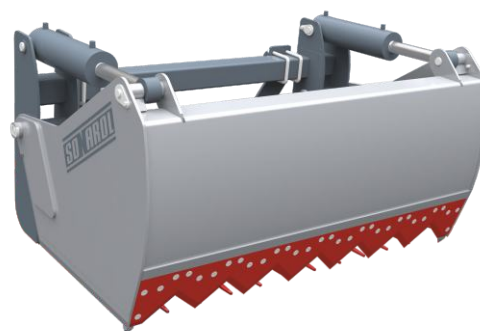
¹ Type of mount "EURO", "SMS", "MX" for front end loader included in the price, if the technical conditions of the device allow.
Special mounting (not from the manufacturer's official fixing table) - 320 €. mounting width, height).
Telescopic loaders surcharge - 315 €, depending on the technical conditions (e.g. mounting width, height).
Hydraulic lock required for wheeled and telescopic loaders without supporting the third hydraulic section - additional payment 90 €. ATTENTION:
Front end loader with tool locking outside handle - reduction frame may be needed.

CUTTER FOR SILAGE

WK

	Units	WK SNR 1400	WK SNR 1600	WK SNR 2000
Width	mm	1400	1600	2000
Height	mm	850	850	850
Open Height	mm	950	950	950
Capacity	m ³	0,88	1,00	1,26
Device weight	kg	470	520	660
Number of teeth	pcs.	8+2	10+2	12+4
Number of hydraulic cylinders	pcs.	2	2	3
Price¹	€	3300	3460	4290

¹ Type of mount "EURO", "SMS", "MX" for front end loader included in the price, if the technical conditions of the device allow.
Special mounting (not from the manufacturer's official fixing table) - 320 €. mounting width, height).
Telescopic loaders surcharge - 315 €, depending on the technical conditions (e.g. mounting width, height).
Hydraulic lock required for wheeled and telescopic loaders without supporting the third hydraulic section - additional payment 90 €.



BALE CUTTER "SHARK"

RB

	Units	RB SNR 1600
Width	mm	1600
Close Height	mm	730
Open Height	mm	1570
Długość	mm	1150
Open Width	mm	1250
Device weight	kg	400
Number of teeth	pcs.	5
Number of hydraulic cylinders	pcs.	2
Price¹	€	3410

Type of mount "EURO", "SMS", "MX" for front end loader included in the price, if the technical conditions of the device allow.
Special mount (not included in the manufacturer's official table of mounts) - 320 €. Skidsteer loader surcharge - 165 €, available if the technical conditions of the device allow (e.g. mounting width, height).
Telescopic loaders surcharge - 255 €, available if the technical conditions of the device allow (e.g. mounting width, height).
Hydraulic lock - additional payment required for wheel loaders and telescopic machines without supporting the third hydraulic section - 90 €.

UNIVERSAL BUCKET

ŁU



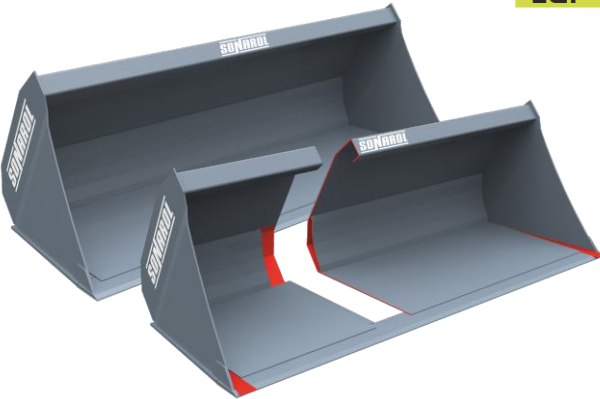
	Units	ŁU SNR1000	ŁU SNR1200	ŁU SNR1500	ŁU SNR1800	ŁU SNR2000	ŁU SNR2200	ŁU SNR2400
Width	mm	1000	1250	1500	1800	2000	2200	2400
Height	mm	650	650	650	650	650	650	650
Depth	mm	750	750	750	750	750	750	750
Capacity	m ³	0,33	0,40	0,50	0,58	0,64	0,70	0,76
Device weight	kg	108	120	155	182	195	225	245
Load Capacity ¹	kg	550	660	825	960	1060	1160	1260
Price ²	€	420	440	540	630	670	710	790

¹ Lifting capacity given for wet sand 1m³-1650kg.

² Type of mount "EURO", "SMS", for front end loader included in the price, if the technical conditions of the device allow. Special mounting (not from the manufacturer's official fixing table) - 320 €. Mini charger surcharge - 165 €, depending on the technical conditions (e.g. mounting width, height). Telescopic loaders surcharge - 255 €, depending on the technical conditions (e.g. mounting width, height). Blade with holes for screw-on blade, additional surcharge 38 € per 1 meter. Screw-on double beveled blade additional payment 95 € per 1 meter. MX mouths surcharge - 45 €, Fauchaux surcharge - 130 €, if the allow technical conditions of the device. Hydraulic lock required for wheeled and telescopic loaders without supporting the third hydraulic section - additional payment 90 €.

UNIVERSAL BUCKET WITHOUT INTERIAL "RIBS"

ŁUP



	Units	ŁUP SNR 1000	ŁUP SNR 1100	ŁUP SNR 1200	ŁUP SNR 1300	ŁUP SNR 1400	ŁUP SNR 1500	ŁUP SNR 1800	ŁUP SNR 2000	ŁUP SNR 2200	ŁUP SNR 2400
Width	mm	1000	1100	1200	1300	1400	1500	1800	2000	2200	2400
Height	mm	800	800	800	800	800	800	800	800	800	800
Depth	mm	920	920	920	920	920	920	920	920	920	920
Capacity	m ³	0,43	0,47	0,52	0,56	0,60	0,65	0,77	0,86	0,95	1,05
Device weight	kg	180	190	205	215	225	240	275	300	330	360
Load Capacity ¹	kg	710	780	860	925	990	1080	1270	1420	1570	1730
Price ²	€	560	600	670	700	760	800	840	1030	1300	1400

¹ Lifting capacity given for wet sand 1m³-1650kg.

² Type of mount "EURO", "SMS", for front end loader included in the price, if the technical conditions of the device allow. Special mounting (not from the manufacturer's official fixing table) - 320 €. Mini charger surcharge - 165 €, depending on the technical conditions (e.g. mounting width, height). Telescopic loaders surcharge - 255 €, depending on the technical conditions (e.g. mounting width, height). Factory-welded blade with holes. Screw-on double beveled blade additional payment 95 € per 1 meter. MX mouths surcharge - 45 €, Fauchaux surcharge - 130 €, if the allow technical conditions of the device. Hydraulic lock required for wheeled and telescopic loaders without supporting the third hydraulic section - additional payment 90 €.

4 IN 1 MULTI-PUPOSE BUCKET

ŁW 4w1

	Units	ŁW 4w1 SNR1650	ŁW 4w1 SNR1850	ŁW 4w1 SNR2050	ŁW 4w1 SNR2250	ŁW 4w1 SNR2450
Width	mm	1650	1850	2050	2250	2450
Height	mm	870	870	870	870	870
Depth	mm	740	740	740	740	740
Capacity	m ³	0,44	0,5	0,56	0,62	0,68
Load Capacity	kg	730	830	930	1030	1120
Device weight	kg	365	395	425	460	490
Number of hydraulic cylinders	pcs.	2	2	2	2	2
Price ¹	€	1800	1910	2040	2250	2390

¹ Type of mount "EURO", "SMS", for front end loader included in the price, if the technical conditions of the device allow. Special mounting (not from the manufacturer's official fixing table) - 320 €. Mini charger surcharge - 225 €, depending on the technical conditions (e.g. mounting width, height). Telescopic loaders surcharge - 315 €, depending on the technical conditions (e.g. mounting width, height). MX mouths surcharge - 45 €, Fauchaux surcharge - 130 €, if the allow technical conditions of the device. Hydraulic lock required for wheeled and telescopic loaders without supporting the third hydraulic section - additional payment 90 €. Pressure limiter additional payment necessary for attachments other than those used in front loaders - 90 €.



OPENWORK BUCKET

LA

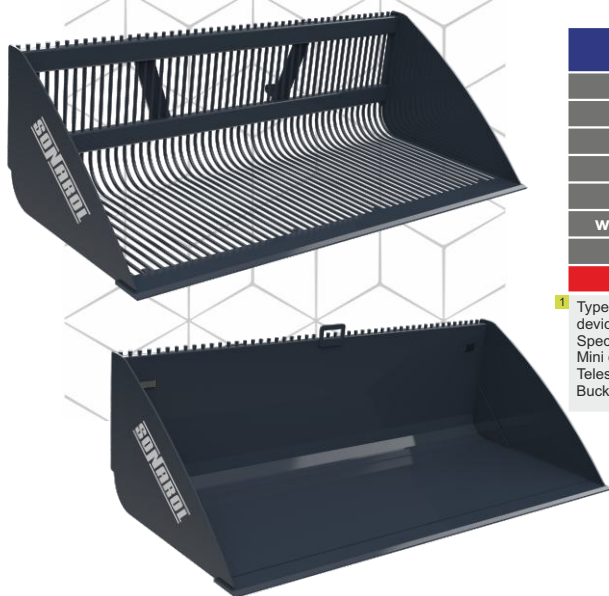
	Units	LA SNR1800	LA SNR2000	LA SNR2200	LA SNR2400
Width	mm	1800	2000	2200	2400
Height	mm	795	795	795	795
Depth	mm	1080	1080	1080	1080
Capacity	m ³	1,10	1,20	1,35	1,45
Device weight	kg	285	315	345	375
Price ¹	€	1350	1410	1460	1540

¹ Type of mount "EURO", "SMS", "MX" for front end loader included in the price, if the technical conditions of the device allow.
Special mounting (not from the manufacturer's official fixing table) - 320 €.
Mini charger surcharge - 165 €, depending on the technical conditions (e.g. mounting width, height).
Telescopic loaders surcharge - 255 €, depending on the technical conditions (e.g. mounting width, height).



OPENWORK BUCKET (TO COLLECT VEGETABLES)

LAL



	Units	LAL SNR1600	LAL SNR1800	LAL SNR2000	LAL SNR2200	LAL SNR2400
Width	mm	1600	1800	2000	2200	2400
Height	mm	700	700	700	700	700
Depth	mm	1050	1050	1050	1050	1050
Capacity	m ³	0,65	0,74	0,83	0,92	1,00
Device weight	kg	260	280	310	330	355
weight of the insert	kg	60	65	70	82	80
Load Capacity	kg	650	740	830	920	1000
Price ³	€	1140	1280	1360	1410	1500

¹ Type of mount "EURO", "SMS", "MX" for front end loader included in the price, if the technical conditions of the device allow.
Special mounting (not from the manufacturer's official fixing table) - 320 €.
Mini charger surcharge - 165 €, depending on the technical conditions (e.g. mounting width, height).
Telescopic loaders surcharge - 255 €, depending on the technical conditions (e.g. mounting width, height).
Bucket weight with insert.

THE HIGH TIP BUCKET

LWW

	Units	LWW SNR1400	LWW SNR1600	LWW SNR1800	LWW SNR2000	LWW SNR2200	LWW SNR2400
Width	mm	1400	1600	1800	2000	2200	2400
Capacity	m ³	0,54	0,62	0,70	0,78	0,86	0,94
Load Capacity	kg	640	745	840	930	1000	1100
Device weight	kg	345	370	395	420	445	470
Price ³	€	1600	2400	2640	2680	2840	2990

¹ Mounting - Screw-on adapter.

² The lifting capacity is given for agricultural products weighing 1m³ -1200kg.

³ Type of mount "EURO", "SMS", for front end loader included in the price, if the technical conditions of the device allow.
Special mounting (not from the manufacturer's official fixing table) - 320 €.
Mini charger surcharge - 165 €, depending on the technical conditions (e.g. mounting width, height).
Telescopic loaders surcharge - 255 €, depending on the technical conditions (e.g. mounting width, height).
MX mouths surcharge - 45 €, Faucheux surcharge - 130 €, if the allow technical conditions of the device.
Hydraulic lock required for wheeled and telescopic loaders without supporting the third hydraulic section - additional payment 90 €.
Pressure limiter additional payment necessary for attachments other than those used in front loaders - 90 €.
Screw fixing for quick assembly.



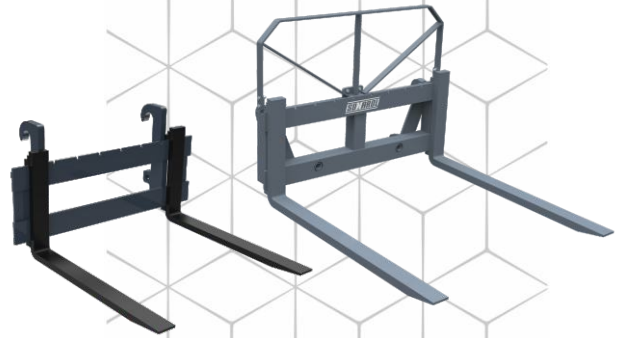
FORK FOR PALLETS

WP

	Units	WP SNR 1000/...	WP SNR 2000/...	WPrt SNR 2000/...
Width	mm	1000/1200	1200	1200
Height	mm	470	850	850
Depth	mm	980	1350	1350
Load Capacity	kg	1000	2000	2000
Device weight	kg	90	160	165
Number of bushings	pcs.	-	-	2
Protective frame		-	-	standard
Price¹	€	600	660	700

Others fees (optional)				
Tine	€		-	45
Support frame without	€		490	490
Protective frame (top)	€		95	95

¹ Type of mount "EURO", "SMS", front end loader included in the price, if the technical conditions of the device allow.
Special mounting (not from the manufacturer's official fixing table) - 320 €.
Mini charger surcharge - 165 €, depending on the technical conditions (e.g. mounting width, height).
Telescopic loaders surcharge - 255 €, depending on the technical conditions (e.g. mounting width, height).



WP SNR 1000

WPrt SNR 2000

BALE FORK

WB



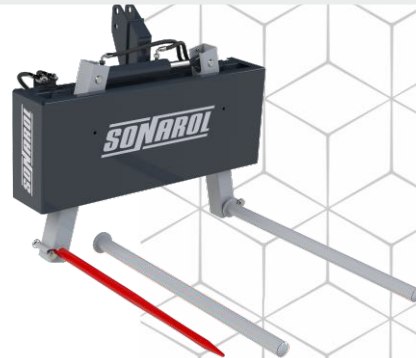
WB

WB4Z

	Units	Bale fork WB SNR	Bale fork - double WB4Z SNR
Width	mm	1200	1500
Height	mm	600	600
Load Capacity	kg	1100	1500
Device weight	kg	70	100
Number of teeth	pcs.	2	4
Teeth length	mm	1100	1100
Price¹	€	350	620

¹ Type of mount "EURO", "SMS", for front end loader included in the price, if the technical conditions of the device allow.
Special mounting (not from the manufacturer's official fixing table) - 320 €.
Mini charger surcharge - 165 €, depending on the technical conditions (e.g. mounting width, height).
Telescopic loaders surcharge - 255 €, depending on the technical conditions (e.g. mounting width, height).

WB4Z - Euro mount - three-point linkage as standard
WB4Z - Possibility to add a fifth tooth and use it as a general purpose fork



HYDRAULIC BALE LIFTER

PBH

	Units	PBH SNR
Width	mm	1320
Height	mm	500
Load Capacity	kg	900
Device weight	kg	237
Arm length	mm	1250
Teeth length	mm	1250
Distance between open teeth	mm	1375
Distance between closed teeth	mm	770
Price¹	€	1420

¹ EURO-TUZ mounting as standard.
Mini charger surcharge - 165 €, depending on the technical conditions (e.g. mounting width, height).
Telescopic loaders surcharge - 255 €, depending on the technical conditions (e.g. mounting width, height).



PBM

PBM 2

MECHANICAL BALE LIFTER

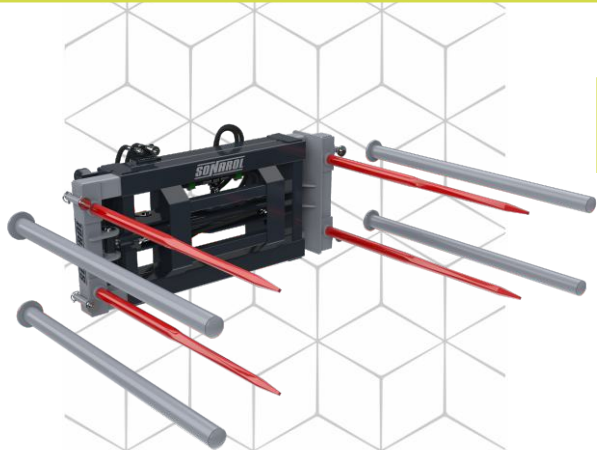
PBM

	Units	PBM	PBM 2
Width	mm	1200	2085
Height	mm	490	490
Load Capacity	kg	900	1400
Device weight	kg	137	220
Number of Arms	sz	2	4
Arm length	mm	1250	1250
Price¹	€	1020	1330
Extension price	€	-	165

¹ EURO-TUZ mounting as standard.
The PBM2 lift can be equipped with an extension for loading a third bale.

CHWYTAK DO BEL PROSTOKĄTNYCH Z ZĘBAMI

CBPZ

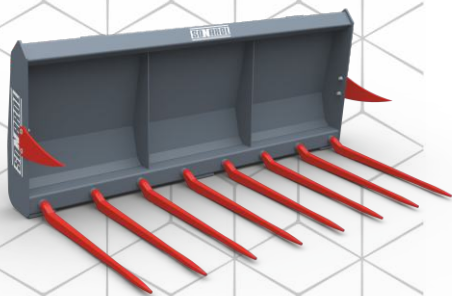


	Units	CBPZ SNR 2500/...
Width	mm	2500
Load Capacity ¹	kg	900
Device weight	kg	320
Price ¹	€	1650

¹ Type of mount "EURO", "SMS", for front end loader included in the price, if the technical conditions of the device allow.
Special mounting (not from the manufacturer's official fixing table) - 320 €. Mini charger surcharge - 165 €, depending on the technical conditions (e.g. mounting width, height). Telescopic loaders surcharge - 255 €, depending on the technical conditions (e.g. mounting width, height).

MANURE FORK

WO



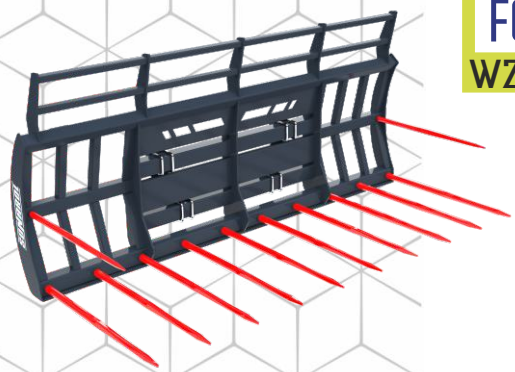
	Units	WO SNR1250	WO SNR1500	WO SNR1800	WO SNR2100
Width	mm	1250	1500	1800	2100
Height	mm	710	710	710	710
Capacity	m ³	0,68	0,82	1	1,15
Load Capacity ¹	kg	550	660	800	930
Device weight	kg	115	130	150	170
Number of teeth	pcs.	6	7	8	9
Price ²	€	590	660	740	830

¹ Lift capacity given for 1m³ manure - 800kg.

² Type of mount "EURO", "SMS", for front end loader included in the price, if the technical conditions of the device allow.
Special mounting (not from the manufacturer's official fixing table) - 320 €. Mini charger surcharge - 165 €, depending on the technical conditions (e.g. mounting width, height). Telescopic loaders surcharge - 255 €, depending on the technical conditions (e.g. mounting width, height).

FORKS FOR GREEN FODDER, FIXING ON U-BOLTS

WZC



	Units	WZC SNR2400	WZC SNR2700	WZC SNR3000
Width	mm	2400	2700	3000
Height	mm	1330	1330	1330
Device weight	kg	445	460	510
Number of lower teeth	pcs.	9	10	11
Teeth length	mm	1250	1250	1250
Price ²	€	2310	2460	2620

¹ Type of mount "EURO", "SMS", for front end loader included in the price, if the technical conditions of the device allow.
Special mounting (not from the manufacturer's official fixing table) - 320 €. Mini charger surcharge - 165 €, depending on the technical conditions (e.g. mounting width, height). Telescopic loaders surcharge - 255 €, depending on the technical conditions (e.g. mounting width, height).

FODING FORKS

WSB



	Units	WSB
Height	mm	2100
Width	mm	2000
Depth - unfolded	mm	1300
Depth - folded	mm	680
Device weight	kg	260
Price ¹	€	1090

¹ Type of mount "EURO", "SMS", for front end loader included in the price, if the technical conditions of the device allow.
Special mounting (not from the manufacturer's official fixing table) - 320 €. Mini charger surcharge - 165 €, depending on the technical conditions (e.g. mounting width, height). Telescopic loaders surcharge - 255 €, depending on the technical conditions (e.g. mounting width, height).



LIGHT CARGO BOX

SLL

	Units	SLL SNR1600	SLL SNR1800	SLL SNR2000
Width	mm	1600	1800	2000
Capacity	m ³	0,90	1,00	1,10
Load Capacity	kg	560	560	560
Device weight	kg	345	360	375
Number of hydraulic cylinders	mm	1	1	1
Price ¹	€	1530	1620	1710

¹ "EURO/TUZ cat.2" mounting as standard.



HEAVY CARGO BOX

SLC

	Units	SŁC SNR1600	SŁC SNR1800	SŁC SNR2000	SŁC SNR2200	SŁC SNR2400
Width	mm	1600	1800	2000	2200	2400
Capacity	m ³	1,00	1,10	1,25	1,35	1,45
Load Capacity	kg	1500	1500	1500	1500	1500
Device weight	kg	480	500	520	540	560
Number of hydraulic cylinders	mm	2	2	2	2	2
Price ¹	€	2160	2280	2350	2470	2550

¹ "EURO/TUZ cat.2" mounting as standard.



BALLAST

FOR SELF-FILLING WITH CONCRETE

OBC

	Units	OBC 200	OBC 300	OBC 600	OBC 800	OBC 1000	OBC 1200
Width	mm	410	545	856	886	896	906
Depth	mm	350	490	605	706	861	982
Height	mm	370	400	546	596	596	596
High total	mm	585	585	786	876	883	883
Construction weight	kg	38	45	74	90	108	118
Weight with concrete	kg	200	300	600	800	1000	1200
Three-point category		TUZ.kat.1 Trójkąt kat.1	TUZ.kat.1 Trójkąt kat.1	2	3N	3N	3N
Price ¹	€	370	400	430	480	550	590

¹ Mounting included 3-point, lack of mounting balls - "ball hooks", ordered separately
Special mounting (not from the manufacturer's fixing table) - 320 €.



BIG-BAG LIFTER

PB

	Units	PB SNR1000
Lifting capacity	kg	1000
Device weight	kg	110
Price ¹	€	650

¹ EURO mounting and SMS included in the price, available if the allow technical conditions of the device.
Special mounting (not from the manufacturer's official fixing table) - 320 €.
MX mouths surcharge - 45 €, Fauchaux surcharge - 130 €, if the allow technical conditions of the device.
Mini charger surcharge - 165 €, depending on the technical conditions (e.g. mounting width, height).
Telescopic loaders surcharge - 255 €, depending on the technical conditions (e.g. mounting width, height).



SILAGE SPREADER

RDP

	Units	RDP
Folded height	mm	1750
Unfolded height	mm	1450
Width unfolded (maximum)	mm	4600
Folded width (minimum)	mm	3000
Length	mm	2750
Device weight	kg	1200
Price ¹	€	10880

¹ PTO drive shaft 900Nm k1210(1500) - standard Three-point linkage mounting bracket as standard. Connection via one hydraulic section. Reversible gearbox - additional option

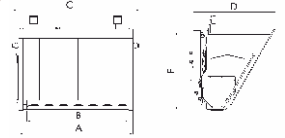
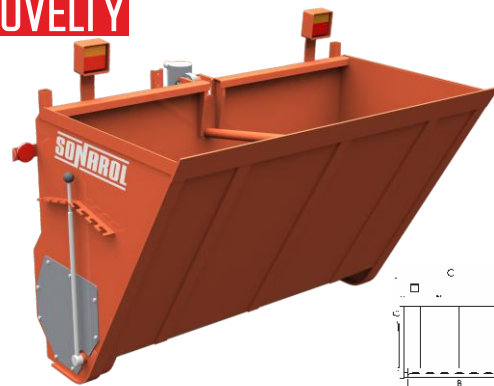
THE SELF-LOADING SAND SPREADER

NOVELTY

PSA

	Units	PSA SNR1200	PSA SNR1400	PSA SNR1600	PSA SNR2000
Case width [A]	mm	1200	1400	1600	2000
Spreading width [B]	mm	1060	1260	1460	1860
Total width [C]	mm	1500	1700	1820	2220
Length [D]	mm	1200	1200	1200	1200
Height [E]	mm	1200	1200	1200	1200
Bucket capacity	m ³	0,7	0,8	0,9	1,1
Device weight	kg	430	460	490	550
Price ¹	€	2920	3090	3290	3600

¹ Mounting included 3-point system. Special mounting (not from the manufacturer's fixing table) - 320 €. Other fastenings purchase according to the table of charges.



BUCKET WITH THE BRUSH

LS

	Units	LS SNR1400	LS SNR1600	LS SNR1800	LS SNR2000	LS SNR2200	LS SNR2400
Brush width [A]	mm	1400	1600	1800	2000	2200	2400
Overall width [B]	mm	1760	1960	2160	2360	2560	2760
Depth [C]	mm	1400	1400	1400	1400	1400	1400
Height [D]	mm	765	765	765	765	765	765
Bucket capacity	m ³	0,35	0,4	0,45	0,5	0,55	0,6
Device weight	kg	330	350	370	390	410	430
Brush diameter [ØE]	mm	600	600	600	600	600	600
Price ¹	€	2610	2680	2790	2840	2900	3000

¹ Type of mount "EURO", "SMS", "MX" for front end loader included in the price, if the technical conditions of the device allow. Special mounting (not from the manufacturer's official fixing table) - 320 €. Mini charger surcharge - 225 €, depending on the technical conditions (e.g. mounting width, height). Telescopic loaders surcharge - 315 €, depending on the technical conditions (e.g. mounting width, height).

SWEeper

ZM

	Units	ZM SNR1400	ZM SNR1600	ZM SNR1800	ZM SNR2000	ZM SNR2200	ZM SNR2400
Brush width	mm	1400	1600	1800	2000	2200	2400
Overall width	mm	1760	1960	2160	2360	2560	2760
Depth	mm	1850	1850	1850	1850	1850	1850
Height	mm	1000	1000	1000	1000	1000	1000
Bucket capacity	m ³	0,15	0,17	0,19	0,21	0,23	0,25
Device weight	kg	340	360	380	400	420	440
Brush diameter	mm	600	600	600	600	600	600
Price ¹	€	2460	2660	2840	3190	3320	3430

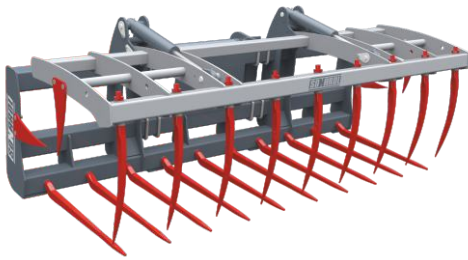
¹ Standard equipment:
 - terrain following system (transverse and longitudinal)
 - copying support wheel
 - marker for positioning the sweeper relative to the ground
 - hydraulic emptying of the waste basket
 - manual adjustment of the working angle
 - smooth brush height adjustment

Optional equipment:
 - side brush left/right - 770 €.
 - water sprinkler system - 840 €.



CROCODILE CLAMP

CKŁ



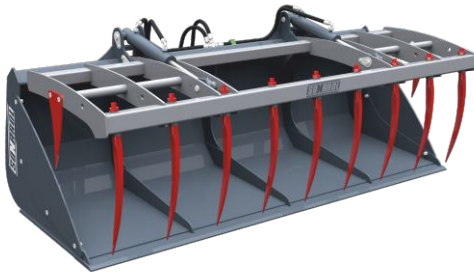
	Units	CKŁ SNR1800	CKŁ SNR2100	CKŁ SNR2400
Width	mm	1800	2100	2400
Height	mm	870	870	870
Open Height	mm	1370	1370	1370
Capacity	m ³	1,2	1,4	1,56
Load Capacity ¹	kg	940	1100	1250
Device weight	kg	350	380	425
Number of teeth	pcs.	8+7	9+8	10+9
Number of hydraulic cylinders	pcs.	2	2	2
Price²	€	2900	3290	3530

¹ Lifting capacity for agricultural crops and loose materials max 1200 kg - 1m³.

² Screw fixing for quick assembly included in price, available if the allow technical conditions of the device.
Special mounting (not from the manufacturer's official fixing table) - 320 €.
Hydraulic lock required for wheeled and telescopic loaders without supporting the third hydraulic section - additional payment 90 €.

BUCKET-CROCODILE CLAMP

ŁKŁ



	Units	ŁKŁ SNR1800	ŁKŁ SNR2100	ŁKŁ SNR2400
Width	mm	1800	2100	2400
Height	mm	850	850	850
Open Height	mm	1350	1350	1350
Capacity	m ³	1,2	1,4	1,6
Load Capacity ¹	kg	1200	1400	1600
Device weight	kg	400	450	510
Number of teeth	pcs.	7	8	9
Number of hydraulic cylinders	pcs.	2	2	2
Price²	€	2180	2380	2680

¹ Lifting capacity for agricultural crops and loose materials max 1200 kg - 1m³.

² Mounting included in the price, available if the allow technical conditions of the device.
Special mounting (not from the manufacturer's official fixing table) - 320 €.
Hydraulic lock required for wheeled and telescopic loaders without supporting the third hydraulic section - additional payment 90 €.
Factory-welded blade with holes.
Screw-on double beveled blade additional payment 95 € per 1 meter.

GRAPPLE BUCKETS VOLUMETRIC

NOVELTY

ŁKO



	Units	ŁKO SNR2000	ŁKO SNR2200	ŁKO SNR2400	ŁKO SNR2600
Width	mm	2000	2200	2400	2600
Height	mm	960	960	960	960
Open Height	mm	1870	1870	1870	1870
Capacity	m ³	1,4	1,55	1,7	1,85
Device weight	kg	880	930	1000	1050
Load Capacity ¹	kg	1680	1860	2000	2220
Number of hydraulic cylinders	pcs.	2	2	2	2
Price²	€	4480	4950	5140	5340

¹ Lifting capacity for agricultural crops and loose materials max 1m³-1200kg.

² Mounting included in the price, available if the allow technical conditions of the device.
Special mounting (not from the manufacturer's official fixing table) - 320 €.
Hydraulic lock required for wheeled and telescopic loaders without supporting the third hydraulic section - additional payment 90 €.
Factory-welded blade with holes.
Screw-on double beveled blade additional payment 90 € per 1 meter.

BUCKET-CROCODILE CLAMP TEMPERED TINES

ŁKPL



	Units	ŁKPL SNR1800	ŁKPL SNR2000	ŁKPL SNR2200	ŁKPL SNR2400
Width	mm	1800	2000	2200	2400
Height	mm	960	960	960	960
Open Height	mm	1500	1500	1500	1500
Capacity	m ³	1,0	1,1	1,2	1,3
Device weight	kg	540	610	650	690
Load Capacity ¹	kg	1200	1320	1440	1560
Number of hydraulic cylinders	pcs.	2	2	2	2
Price²	€	2790	2950	3180	3600

¹ Lifting capacity for agricultural crops and loose materials max 1200 kg - 1m³.

² Mounting included in the price, available if the allow technical conditions of the device.
Special mounting (not from the manufacturer's official fixing table) - 320 €.
Hydraulic lock required for wheeled and telescopic loaders without supporting the third hydraulic section - additional payment 90 €.
Factory-welded blade with holes.
Screw-on double beveled blade additional payment 90 € per 1 meter.
Upper standard jaw - 3 reinforcing pipes.
Upper jaw 2 reinforcing pipes - optional on request.

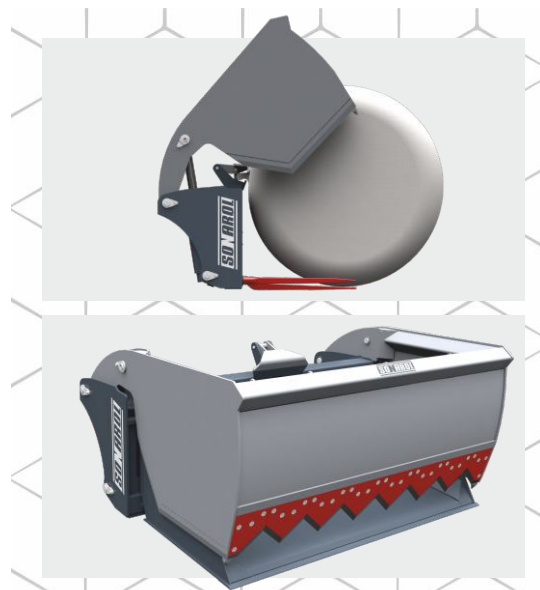
COMBI CUTTER

W



3in1

- silage cutter
- bale shearer with the functionality for holding the cut film or mesh
- bucket for bulk materials



	Units	W SNR 1600
Width	mm	1600
Height	mm	850
Open Height	mm	1350
Bucket capacity	m ³	0,4
Device capacity	m ³	0,93
Device weight	kg	510+120
Number of teeth	pcs.	10+2
Number of hydraulic cylinders	pcs.	2
Set price¹	€	3950
Set without bucket price	€	3630

¹ Waga urządzenia w zależności od zastosowanego mocowania może się różnić.

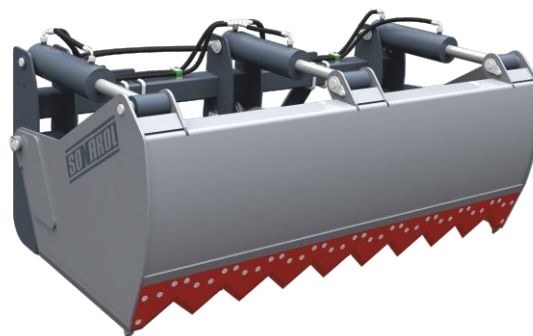
² Mounting included in the price, available if the allow technical conditions of the device.
Special mounting (not from the manufacturer's official fixing table) - 320 €.
Hydraulic lock required for wheeled and telescopic loaders without supporting the third hydraulic section - additional payment 90 €.
ATTENTION: Some telehandlers models require a reduction frame - ask your supplier.

CUTTER FOR SILAGE

WK

	Units	WK SNR1400	WK SNR1600	WK SNR2000
Width	mm	1400	1600	2000
Height	mm	850	850	850
Open Height	mm	950	950	950
Capacity	m ³	0,88	1,00	1,26
Device weight	kg	470	520	660
Number of teeth	pcs.	8+2	10+2	12+4
Number of hydraulic cylinders	pcs.	2	2	3
Price¹	€	3560	3800	4650

¹ Important: All type of telescopic loader or mini loader or sceedsterincluded in the price if the allow technical condition of the device.
Special mounting (not from the manufacturer's official fixing table) - 320 €.
Hydraulic lock required for wheeled and telescopic loaders without supporting the third hydraulic section - additional payment 90 €.



4 IN 1 MULTI-PURPOSE BUCKET

ŁWL 4wl



	Units	ŁWL 4in1 SNR1850	ŁWL 4in1 SNR2050	ŁWL 4in1 SNR2250	ŁWL 4in1 SNR2450
Width	mm	1850	2050	2250	2450
Height	mm	800	800	800	800
Depth	mm	740	740	740	740
Capacity	m ³	0,5	0,56	0,62	0,65
Load Capacity	kg	830	930	1030	1120
Waga Device weight	kg	395	425	460	490
Number of hydraulic cylinders	pcs.	2	2	2	2
Price¹	€	2510	2660	2880	3120

¹ Mounting included in the price, available if the allow technical conditions of the device.
Special mounting (not from the manufacturer's official fixing table) - 320 €.
Hydraulic lock required for wheeled and telescopic loaders without supporting the third hydraulic section - additional payment 90 €.
Pressure limiter additional required.

HIGH-VOLUME BUCKET

ŁO



	Units	ŁO SNR2000	ŁO SNR2200	ŁO SNR2400	ŁO SNR2600
Width	mm	2000	2200	2400	2600
Height	mm	1075	1075	1075	1075
Depth	mm	1180	1180	1180	1180
Capacity	m ³	1,60	1,75	1,90	2,05
Load Capacity	kg	1440	1550	1700	1850
Device weight	kg	617	634	658	692
Price¹	€	2600	2740	2900	3060

¹ Mounting included in the price, available if the allow technical conditions of the device.
Special mounting (not from the manufacturer's official fixing table) - 320 €.
Screw-on double beveled blade additional payment 95 € per 1 meter.

LARGE CAPACITY BUCKET

ŁDP

NOVELTY



	Units	ŁDP SNR 2300	ŁDP SNR 2500	ŁDP SNR 2700
Width	mm	2300	2500	2700
Height	mm	1260	1260	1260
Depth	mm	1660	1660	1660
Capacity	m ³	2,6	2,8	3
Load Capacity	kg	2600	2800	3000
Device weight	kg	890	945	980
Price¹	€	3025	3200	3320

¹ Mounting included in the price, available if the allow technical conditions of the device.
Special mounting (not from the manufacturer's official fixing table) - 320 €.
Screw-on double beveled blade additional payment 95 € per 1 meter.

FORK FOR PALLETS

WPŁ

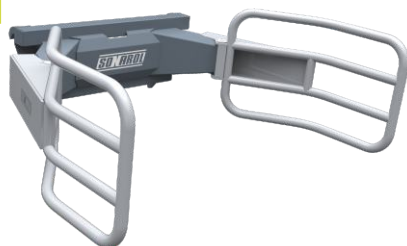


	Units	WPŁ SNR 3500/...
Width	mm	1300
Height	mm	1180
Depth	mm	1350
Capacity	kg	3500
Device weight	kg	280
Price¹	€	1410

¹ Mounting included in the price, available if the allow technical conditions of the device.
Special mounting (not from the manufacturer's official fixing table) - 320 €.

BALE CLAMP

CBŁ



	Units	CBŁ SNR1700
Widths	mm	1700
Capacity	kg	900
Device weight	kg	215
Price¹	€	1350

¹ Mounting included in the price, available if the allow technical conditions of the device.
Special mounting (not from the manufacturer's official fixing table) - 320 €.
Hydraulic lock required for wheeled and telescopic loaders without supporting the third hydraulic section - additional payment 90 €.
Pressure limiter additional required.

UNIVERSAL BUCKET

ŁUM

	Units	ŁUM SNR900	ŁUM SNR1000	ŁUM SNR1100	ŁUM SNR1200	ŁUM SNR1300	ŁUM SNR1400
Width	mm	900	1000	1100	1200	1300	1400
Height	mm	525	525	525	525	525	525
Depth	mm	620	620	620	620	620	620
Capacity	m ³	0,161	0,180	0,198	0,217	0,235	0,254
Device weight	kg	64	69	74	78	83	88
Price ¹	€	420	440	470	500	520	540



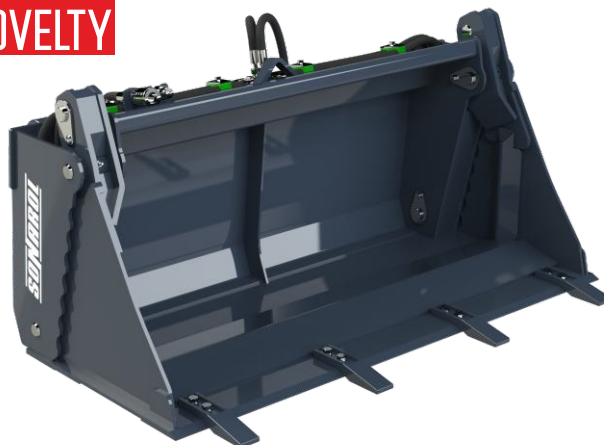
¹ Mounting included in the price, available if the allow technical conditions of the device.
Special mounting (not from the manufacturer's official fixing table) - 320 €.
Blade with holes for screw-on blade, additional surcharge 38 € per 1 meter.
Screw-on double beveled blade additional payment 95 € per 1 meter.

4 IN 1 MULTI-PURPOSE BUCKET

ŁWM 4in1

NOVELTY

	Units	ŁWM4in1 SNR1050	ŁWM4in1 SNR1150	ŁWM4in1 SNR1250	ŁWM4in1 SNR1350	ŁWM4in1 SNR1450
Width	mm	1050	1150	1250	1350	1450
Height	mm	600	600	600	600	600
Depth	mm	540	540	540	540	540
Capacity	m ³	0,2	0,22	0,24	0,26	0,28
Load Capacity	kg	340	370	400	440	470
Device weight	kg	168	177	185	195	205
Number of hydraulic cylinders	pics.	2	2	2	2	2
Price ¹	€	1200	1250	1320	1340	1390



¹ Mounting included in the price, available if the allow technical conditions of the device.
Special mounting (not from the manufacturer's official fixing table) - 320 €.
Hydraulic lock required for wheeled and telescopic loaders without supporting the third hydraulic section - additional payment 90 €.
Pressure limiter additional required.



WOOD LOGS GRAB

CDM

	Units	CDM
Width	mm	1200
Open Capacity	mm	1100
Load Capacity	kg	1000
Device weight	kg	177
Price ¹	€	1390

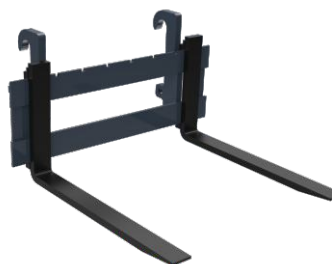
¹ Mounting included in the price, available if the allow technical conditions of the device.
Special mounting (not from the manufacturer's official fixing table) - 320 €.
Hydraulic lock required for wheeled and telescopic loaders without supporting the third hydraulic section - additional payment 90 €.
Pressure limiter additional required.

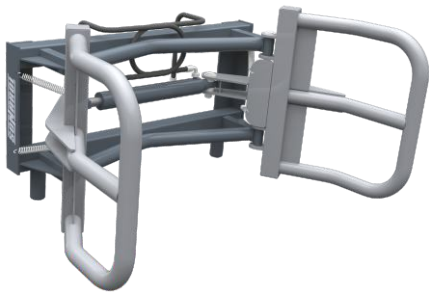
PALLET FORKS

WP

	Units	Widły do palet WP 1000
Width	mm	1000/1200 ¹
Height	mm	470
Depth	mm	980
Load Capacity	kg	1000
Device weight	kg	90
Price ¹	€	770

¹ Mounting included in the price, available if the allow technical conditions of the device.
Special mounting (not from the manufacturer's official fixing table) - 320 €.



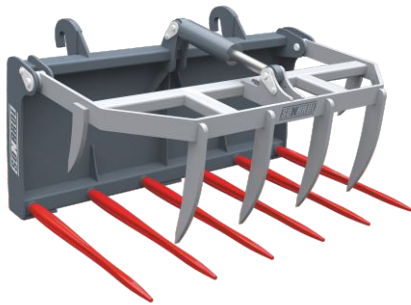


BALE CLAMP

CBEM

	Units	BALE CLAMP CBEM SNR1300
Width	mm	1330
Load Capacity	kg	700
Device weight	kg	140
Price ¹	€	860

- ¹ Mounting included in the price, available if the allow technical conditions of the device.
Special mounting (not from the manufacturer's official fixing table) - 320 €.
MX mouths surcharge - 45 €, Fauchaux surcharge - 130 €, if the allow technical conditions of the device.
Hydraulic lock required for wheeled and telescopic loaders without supporting the third hydraulic section - additional payment 90 €.
Pressure limiter additional payment necessary for attachments other than those used in front loaders - 90 €.
Cannot be used on wheeled and telescopic loadres with a lifting capacity over 1200 kg.

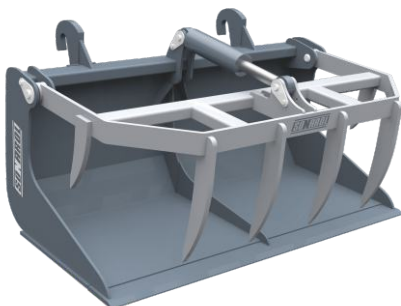


CROCODILE CLAMP

CKM

	Units	CKM SNR900	CKM SNR1000	CKM SNR1100	CKM SNR1200	CKM SNR1300	CKM SNR1400
Width	mm	900	1000	1100	1200	1300	1400
Height	mm	630	630	630	630	630	630
Open Height	mm	800	800	800	800	800	800
Capacity	m ³	0,36	0,4	0,44	0,48	0,52	0,56
Load Capacity	kg	290	320	355	390	420	435
Device weight	kg	120	125	135	140	150	165
Number of teeth	pcs.	5	5	6	6	7	7
Number of hydraulic cylinders	pcs.	1	1	1	1	1	1
Price ¹	€	920	970	1010	1030	1080	1100

- ¹ Mounting included in the price, available if the allow technical conditions of the device.
Special mounting (not from the manufacturer's official fixing table) - 320 €.
Hydraulic lock required for wheeled and telescopic loaders without supporting the third hydraulic section - additional payment 90 €.
Pressure limiter additional required.
Blade with holes for screw-on blade, additional surcharge 38 € per 1 meter.
Screw-on double beveled blade additional payment 105 € per 1 meter.

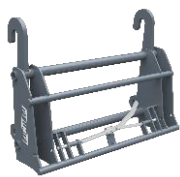


BUCKET-CROCODILE CLAMP

ŁKM

	Units	ŁKM SNR900	ŁKM SNR1000	ŁKM SNR1100	ŁKM SNR1200	ŁKM SNR1300	ŁKM SNR1400
Width	mm	900	1000	1100	1200	1300	1400
Height	mm	600	600	600	600	600	600
Open Height	mm	770	770	770	770	770	770
Capacity	m ³	0,36	0,4	0,44	0,48	0,52	0,56
Load Capacity ¹	kg	290	320	320	370	390	390
Device weight	kg	130	135	145	150	157	165
Number of hydraulic cylinders	pcs.	1	1	1	1	1	1
Price ²	€	970	990	1030	1080	1100	1140

- ¹ Udźwig podany dla obornika 1m³ - 800kg.
- ² Mounting included in the price, available if the allow technical conditions of the device.
Special mounting (not from the manufacturer's official fixing table) - 320 €.
Hydraulic lock required for wheeled and telescopic loaders without supporting the third hydraulic section - additional payment 90 €.
Pressure limiter additional required.
Blade with holes for screw-on blade, additional surcharge 38 € per 1 meter.
Screw-on double beveled blade additional payment 135 € per 1 meter.



LP	TYPE	PRICE
1.	ATLAS 14 - EURO	780
2.	AVANT - EURO	780
3.	BOBCAT (NA RURZE) - BOBCAT (NA RURZE)	850
4.	BOBCAT (NA RURZE) - EURO/SMS/MX	780
5.	BOBCAT (NA RURZE) - TUZ KAT.3	850
6.	BOBCAT MAŁY (BLASZANY) - EURO/SMS/MX	780
7.	CAT TH407C - EURO/SMS/MX	850
8.	CAT TH407C - MANITOU	850
9.	CLASS SCORPION - EURO/SMS/MX	780
10.	CLASS SCORPION - MANITOU	850
11.	CLASS SCORPION - MERLO ZM2	850
12.	CLASS TARGO K50 - EURO	850
13.	CLASS TORION 535 - EURO	850
14.	DEUTZ FAHR - EURO/MX	780
15.	DIECI AGRI FARMER - EURO/SMS/MX	780
16.	DIECI AGRI FARMER - MANITOU	850
17.	DIECI MINI AGRI 25.6 - EURO/SMS/MX	780
18.	EURO - DEUTZ FAHR	780
19.	EURO - DIECI MINI AGRI FARM 25.6	780
20.	EURO - EURO/SMS	670
21.	EURO - SMS	670
22.	EURO - GIANT MAŁY	780
23.	EURO - MANITOU	780
24.	EURO - MX	780
25.	EURO - MERLO ZM2	780
26.	EURO - PICHON P126	780
27.	EURO - TRÓJKĄT	780
28.	EURO - TUZ. KAT.2	850
29.	FAUCHEUX - EURO	780
30.	GIANT - EURO	780
31.	HERCULES/EVERUN DUŻY - EURO	780
32.	HERCULES/EVERUN MAŁY - EURO	780
33.	JCB 520 - EURO/SMS	780
34.	JCB 520 - MX	780
35.	JCB 526 - EURO/SMS	780
36.	JCB 526 - MX	780
37.	JCB Q-FIT - TUZ KAT.2	850
38.	JCB Q-FIT - TUZ KAT.3N	850
39.	JCB Q-FIT - EURO/SMS	780
40.	JCB Q-FIT - EURO/JCB Q-FIT	850
41.	JCB Q-FIT - MERLO ZM2	850
42.	JCB Q-FIT - MX	780
43.	JCB Q-FIT - DEUTZ FAHR	850
44.	JCB Q-FIT - MANITOU	850
45.	JOHN DEERE - EURO/SMS	780
46.	JOHN DEERE - JCB Q-FIT	850

LP	TYPE	PRICE
47.	KRAMER DUŻY - EURO	780
48.	LIEBHERR 506 - EURO	780
49.	MX - EURO/SMS	780
50.	MX - MANITOU	850
51.	MX - SMS	780
52.	MANITOU - BOBCAT (NA RURZE)	850
53.	MANITOU - EURO/SMS	780
54.	MANITOU - JCB Q-FIT	850
55.	MANITOU - MX	780
56.	MANITOU - DEUTZ FAHR	850
57.	MANITOU - MERLO ZM2	850
58.	MANITOU - TUZ KAT.2	850
59.	MANITOU - TUZ KAT.3N	850
60.	MERLO ZM2 - EURO/SMS	850
61.	MERLO ZM2 - MANITOU	780
62.	MERLO ZM2 - TUZ KAT.2	850
63.	MERLO ZM2 - MX	780
64.	MERLO ZM3 - EURO	780
65.	MUSTANG - EURO	780
66.	MUSTANG hydraulic - EURO	1360
67.	NEW HOLLAND - EURO/SMS	780
68.	NEW HOLLAND - MX	780
69.	NEW HOLLAND - TUZ KAT.2	850
70.	NEW HOLLAND KOPARKO ŁADOWARKA - B5115B EURO	850
71.	PAUS - EURO	780
72.	PICHON126 - EURO/SMS	780
73.	PICHON126 - MX	780
74.	SHAFFER (KWADRATOWY PRĘT RAMKI) - EURO/SMS/MX	780
75.	SCHAFFER KLASA DYNAMICZNA - EURO/SMS/MX	780
76.	SCHAFFER KLASA DYNAMICZNA - NEW HOLLAND	850
77.	SCHAFFER KLASA KOMPAKT - EURO/SMS/MX	780
78.	SMS - EURO/MX	670
79.	SMS - MANITOU	780
80.	STRIEGEL - EURO/SMS	780
81.	TAKMANN 916 - EURO	850
82.	TEREX 730 - EURO	850
83.	TEREX 730 - MANITOU	850
84.	TEREX TL80-120 - EURO	850
85.	TUZ (front linkeige) - EURO	850
86.	TUZ (front linkeige) - MAILLEUX	850
87.	TUZ kat.2 (front linkeige) - MERLO ZM 2	850
88.	TUZ kat.2 (front linkeige) - NEW HOLLAND	850
89.	VOLVO BM - EURO/SMS	780
90.	VOLVO L30B Z-X - EURO/SMS	780
91.	WEIDEMANN - EURO/SMS	780
92.	ZETTELMEYER ZL502 - EURO	850



SONAROL

SONAROL Sp.j. Najda
ul. Polna 27, 18-420 Jedwabne,
Tel./Fax +48 86 217 22 11
www.sonarol.pl